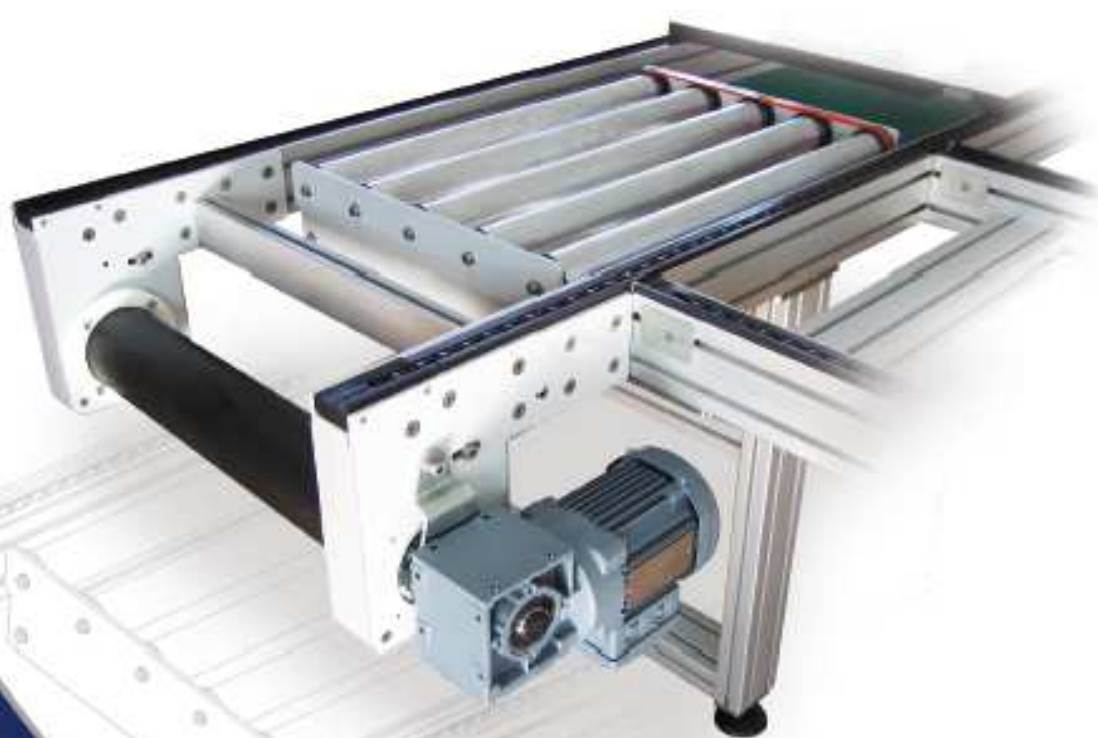


# ASSEMBLY LINE TRANSFER **TRM** SERIES



The advantages of a good design

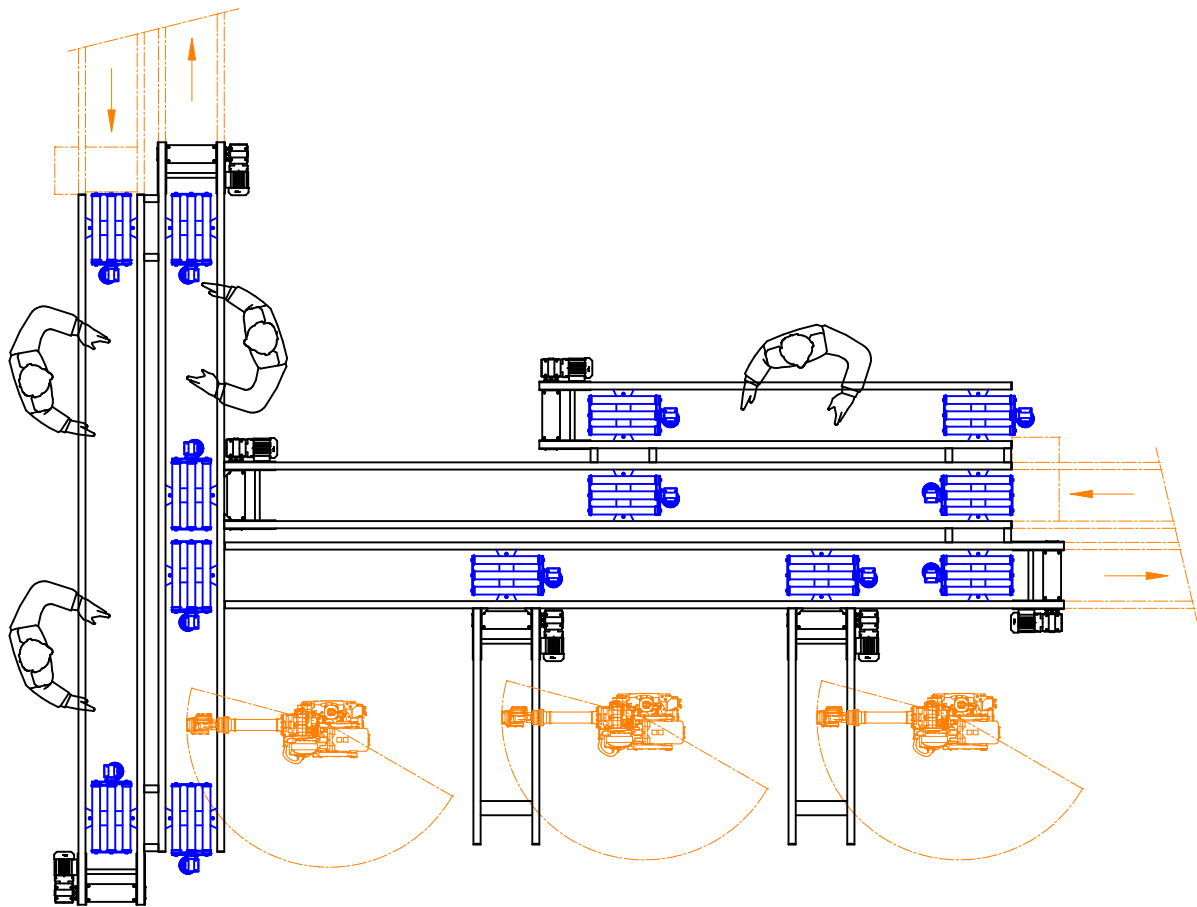
# Contents

---

## Topics

	Page
Example of configuration .....	3
Generals .....	4
Motorized section .....	5
Chains .....	6
Elevation/sliding device .....	6
Single and double leg sets .....	6
Aluminium WPC frames .....	7
WPC inside plate .....	7
Fixing nuts for WPC groove .....	8
Fixing nuts for sections and leg sets .....	8
Section lengthening .....	8
Dampened pneumatic stop unit .....	8
Dampened stop unit at section end .....	8
Mechanical antireturn device .....	9
Side sensor support .....	9
Sensor support and WPC stop pad .....	9
WPC stop pad .....	9
Side stop (not dampened) .....	10
Connection between perpendicular sections .....	10
Connection between parallel sections.....	11
Positioning devices .....	11
Pneumatically operated lift .....	12
Sliding table .....	12
Electrically operated rotary table .....	12
Electrically operated transfer table.....	12

# Example of configuration

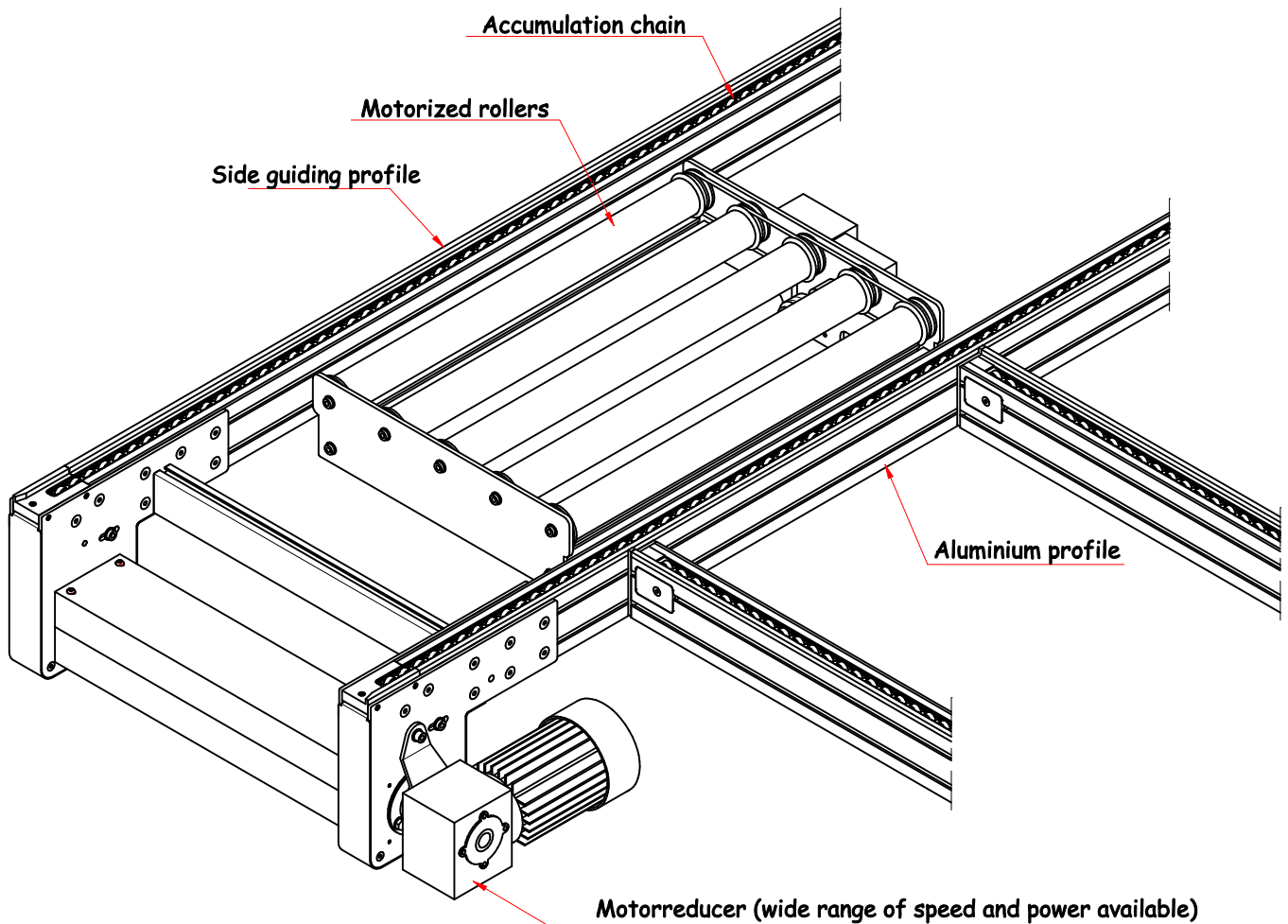


# Generals

---

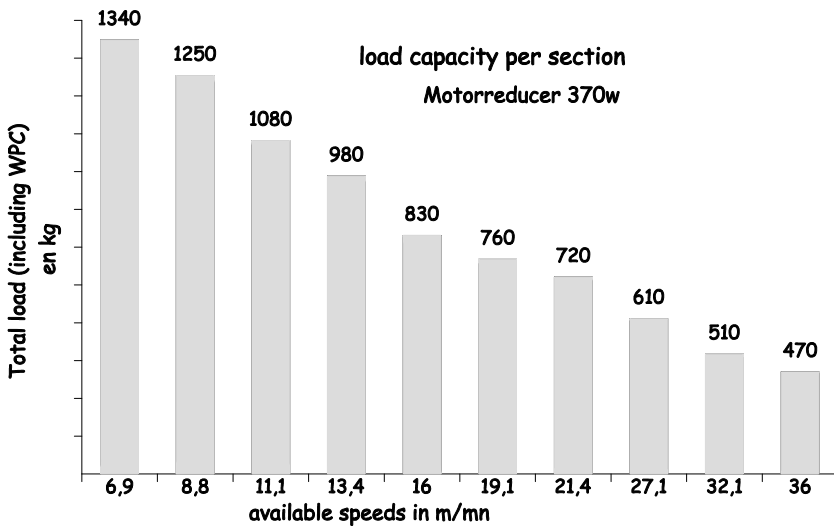
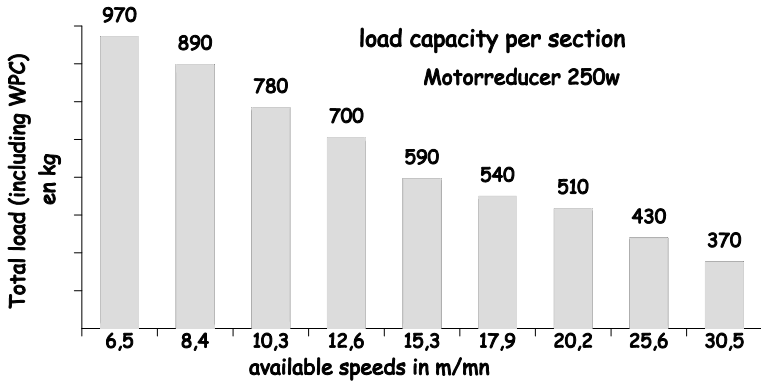
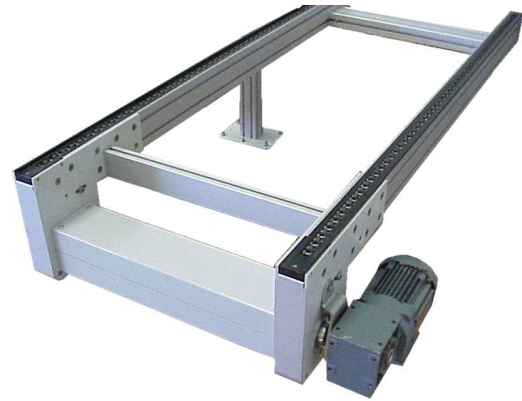
Our TRMD is manufactured from good quality material such as stainless steel, anodized aluminium and synthetic material (polyamide, acetal, ...)

The good modularity of the system facilitates its assembly, reduces its assembly time and also eases any eventual modification of the structure.

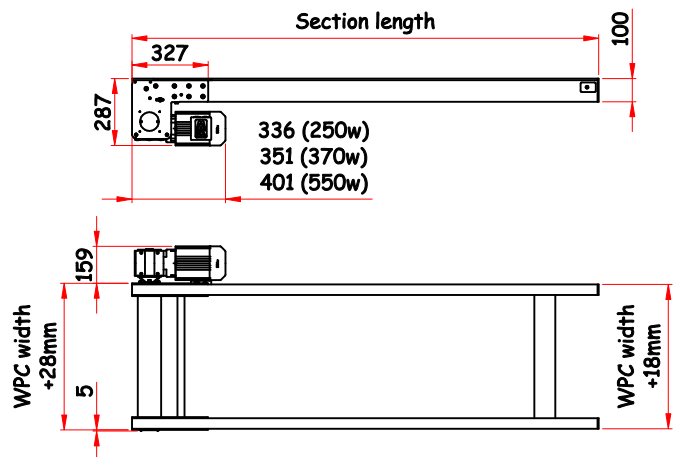
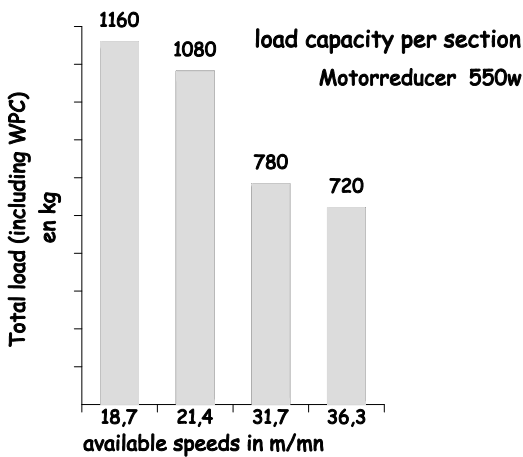
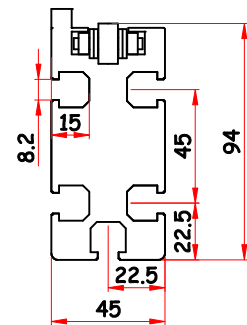


# Motorized section

Each section is composed of 2 ways made of anodized aluminium fitted with side guiding profiles for the guiding of WPC.  
 The loading capacity of each section will vary according to speed and motor power.  
 The length of each section will vary according to the carried linear load and type of chain.  
 Width from 418 to 1218mm  
 mini. length : 550mm  
 maxi. length without lengthening : 6250mm (for bigger sizes, please contact us)  
 possible forward/backward functioning



details of the profile

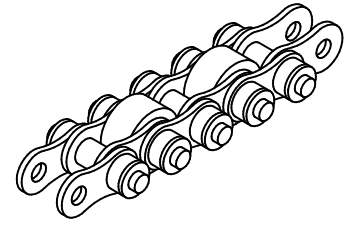




# Chains

linear load for accumulation chain  
150daN/m of section (including WPC)

linear load for steel chain  
390daN/m of section (including WPC)



# Elevation/sliding device

the elevation/sliding device rises the WPC and brings it perpendicularly to another motorized section. One or two pneumatic cylinders and guiding columns provide the vertical movement.

Motorized rollers provide the WPC translation movement.

Each WPC is moved separately. The installation of a stop to break the flow just before the elevation/sliding device is advisable.

A M12 inductive sensor (not supplied) with a 4mm swept area provides the detection of the WPC when located on the elevation/sliding device (in contact with the rollers). A M12 inductive sensor (not supplied) with a 4 mm swept area and mounted on side sensor support ref. 8097 (quoted separately) provides the detection of the WPC when located above the elevation/sliding device (without any contact with the rollers).

The base support of the elevation/sliding device is provided by its own structure.



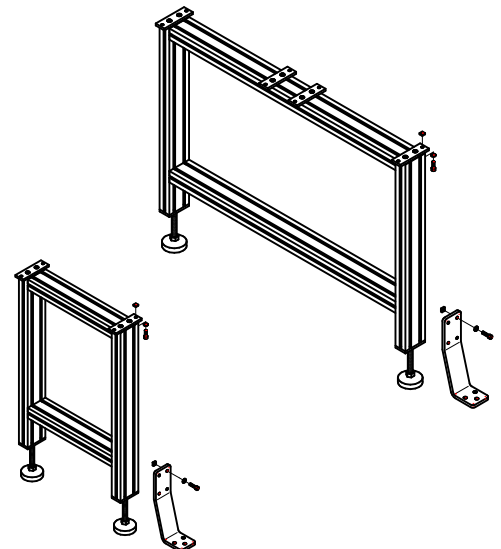
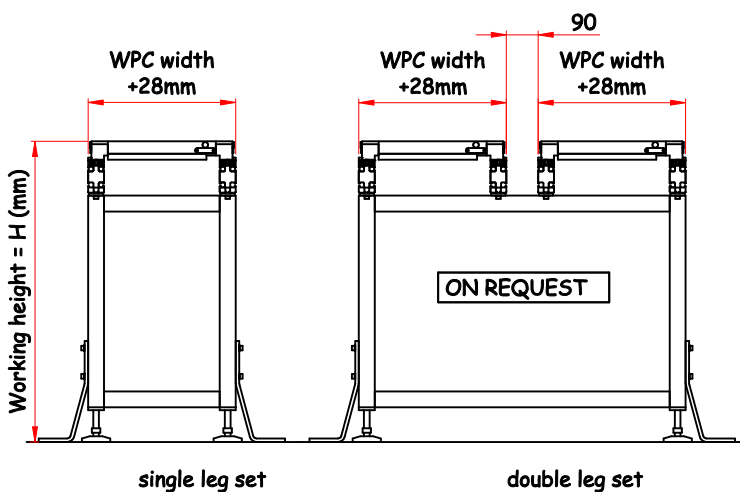
# Single and double leg sets

leg sets are supplied at the required working height and provide rigidity and stability to the system

The maxi. distance between 2 leg sets is 2 meters for all types.

Anchoring links and sections fixing parts are supplied.

Leg set adjustment in height is +/- 30mm.

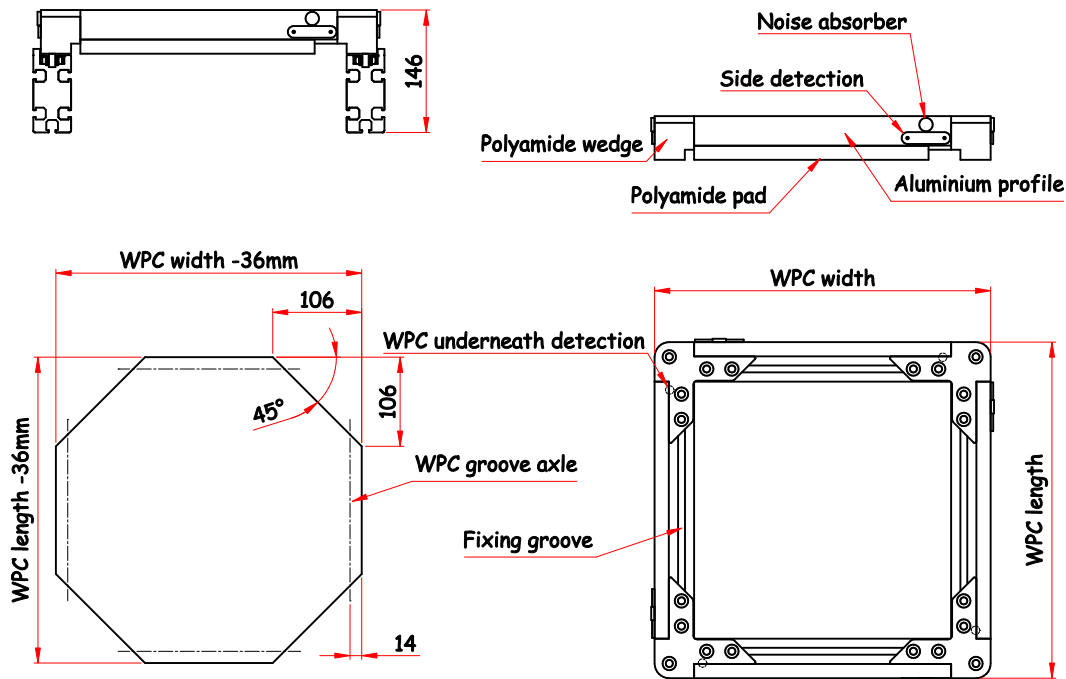


# Aluminium WPC frames

WPC frames support and carry the components to be assembled.  
 Any dimension can be delivered.  
 The WPC frames are fitted with plastic pads to reduce wear when accumulating.  
 Their dimensioning allows flow break.  
 Each WPC frame is fitted with 4 side and 4 underneath detections.

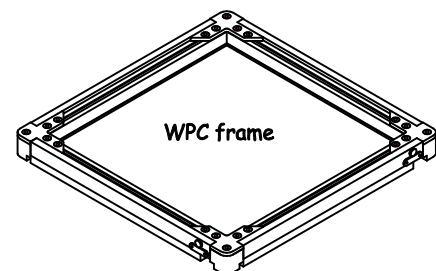
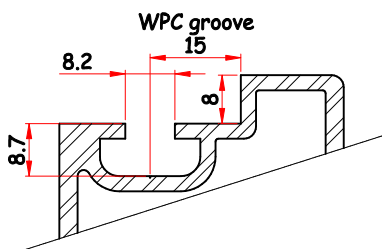
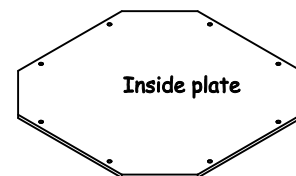
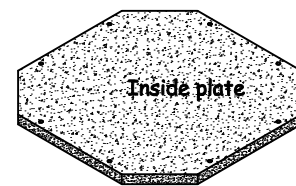
mini. dimensions : 400x400mm

Calculation of the weight of the WPC frame  
 Weight = 3,2Kg x [Width (in m) + Length (in m)] + 2Kg



## WPC inside plate

The WPC inside plate (delivered on request) supports the component and its tooling.  
 It is tightened to the WPC frame by means of screws and nuts.  
 It can be made from a wide range of material.



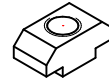
## Fixing nuts for WPC groove

---

Nuts allow the fixing of the WPC inside plate to the WPC frame.

M5 Nut (pack of 10pcs) ref. 3725

M6 Nut (pack of 10pcs) ref. 3726



## Fixing nuts for sections and leg sets groove

---

Nuts allow the fixing of accessories to the section and leg sets.

M4 Nut (pack of 10pcs) ref. 3714

M5 Nut (pack of 10pcs) ref. 3715

M6 Nut (pack of 10pcs) ref. 3716

M8 Nut (pack of 10pcs) ref. 3718



M4 Nut (pack of 10pcs) ref.3734

M5 Nut (pack of 10pcs) ref.3735

M6 Nut (pack of 10pcs) ref.3736

M8 Nut (pack of 10pcs) ref.3738

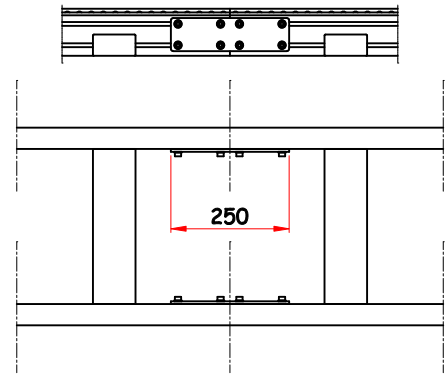


## Section lengthening ref. 7180

---

Section lengthening allows :

- to extend the section length (bigger than 6250mm)
- to ease the dismounting of the section from both ends of a working place (for transportation purposes for instance)

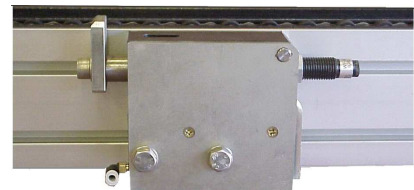


## Dampened pneumatic stop unit ref.4516

---

Stop unit ref. 4516 allows the stop of WPC at the working places and before entering elevation/sliding devices, sliding and rotary tables, lifts. A sliding mechanism dampens the WPC stop by actuating an hydraulic shock absorber. This mechanism is put in position again once the WPC has been released.

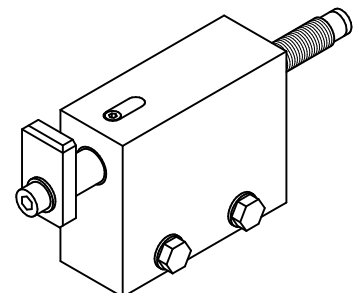
Simple effect pneumatic stop unit  
lubricated or dry, cleaned air, 5 to 6 bars.  
Connector Ø4mm pipe (supplied).



## Dampened stop unit at section end ref.4537

---

Stop unit ref.4537 allows WPC stop at section end when it is on an elevation/sliding device. A sliding mechanism dampens the WPC stop by actuating an hydraulic shock absorber. This mechanism is put in position again after the WPC has been risen by the elevation/sliding device.

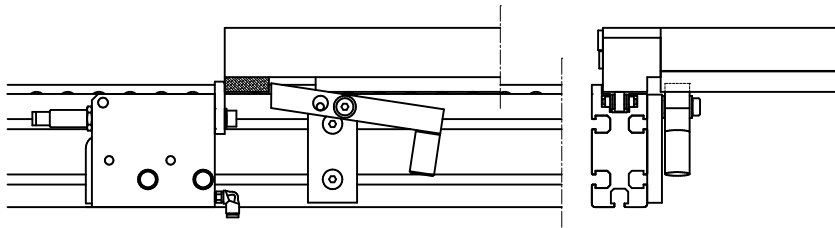




## Mechanical antireturn device ref.4515

---

Antireturn device ref.4515 is located under the WPC and avoids the return of the WPC during the assembly process at the working place or when stopped along the line.



## Side sensor support ref.8097

---

The detection of WPC stopped at the working places and the control of flow and priorities are provided by M12 inductive sensors (not supplied) , with a 4mm swept area (fitted with or without connector), set on support ref. 8097.



## Sensor support and WPC stop pad ref. 4527

---

The detection of WPC at the working places can be provided by M12 inductive sensors (not supplied), (with or without connector), with a 4mm swept area, set on a support combined with a stop pad.

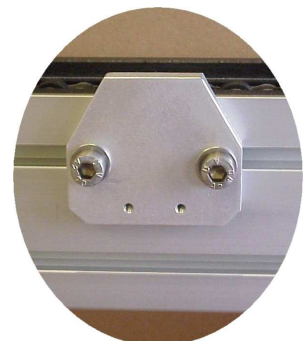
The WPC stop pad improves the stop accuracy reducing the WPC movement and wear of the side guiding profile. Its setting is advisable but become necessary when load is bigger than 30 daN.



## WPC stop pad ref.4529

---

The WPC stop pad improves the stop accuracy reducing the WPC movement and wear of the side guiding profile. Its setting is advisable but become necessary when load is bigger than 30 daN.



## Side stop ref.4523 (not dampened)

---

The side stop is located at the end of the elevation/sliding device (outside the section) and allows the WPC stop on that same device.



## Connection between perpendicular sections ref.4520

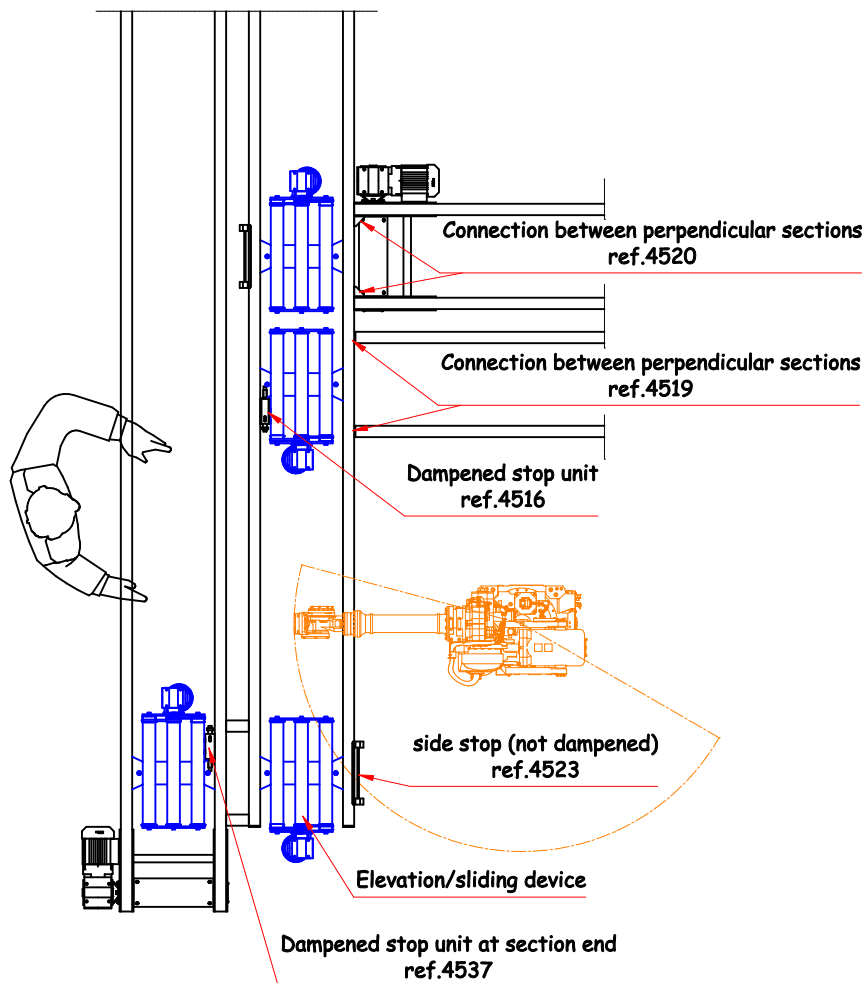
---

The installation of connection ref. 4520 is necessary when mounting the line to get a proper configuration.

## Connection between perpendicular sections ref.4519

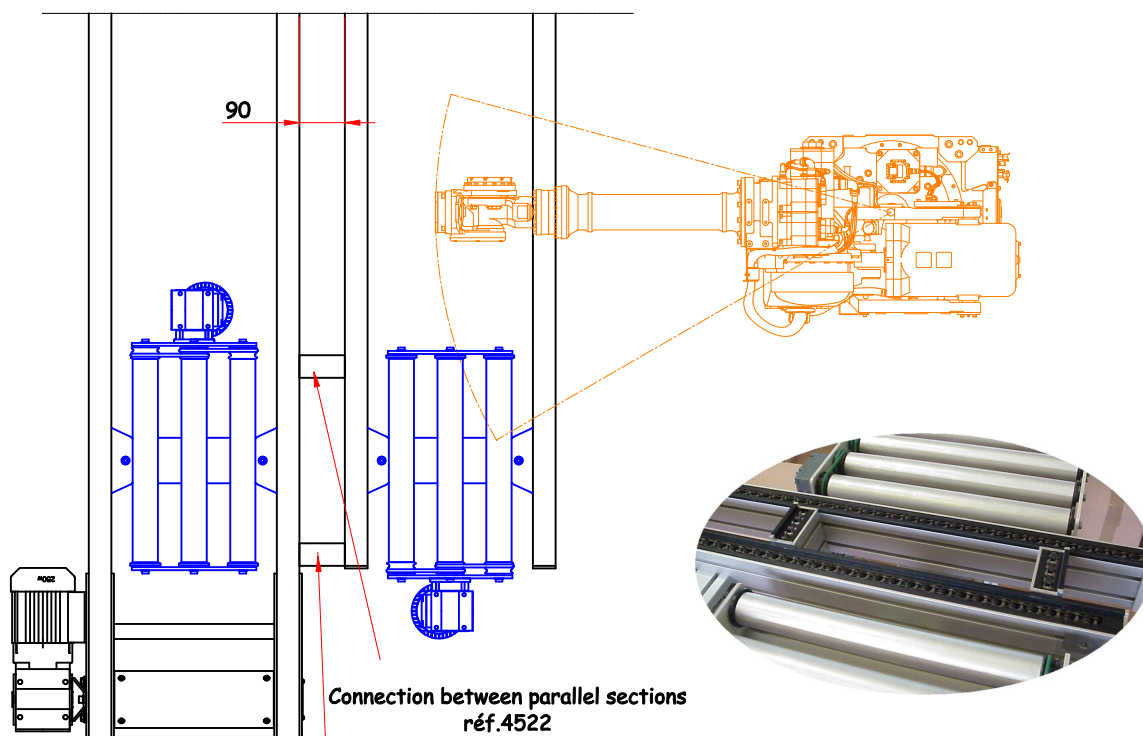
---

The installation of connection ref. 4519 is necessary when mounting the line to get a proper configuration.



## Connection between parallel sections ref.4522

Connection ref. 4522 ensures the proper WPC crossing between 2 parallel sections.  
It is composed of free rollers and guides the WPC when crossing.  
This connection is similar whatever the WPC dimension is.

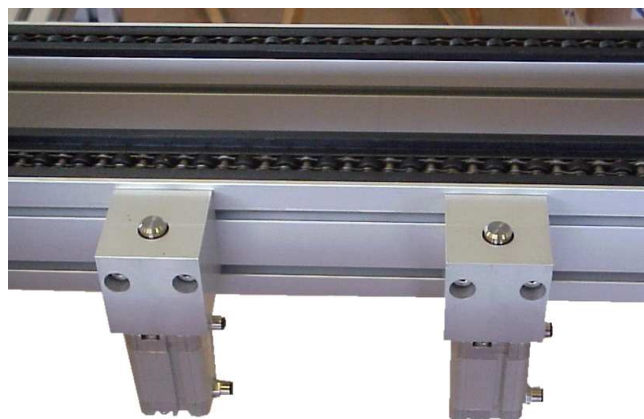


## Positioning devices

When the efforts applied to the load require an accurate WPC positioning, a positioning device specific to your application can be studied.  
The selection and calculation of the WPC inside plate will be made according to the required positioning device.

Please contact us.

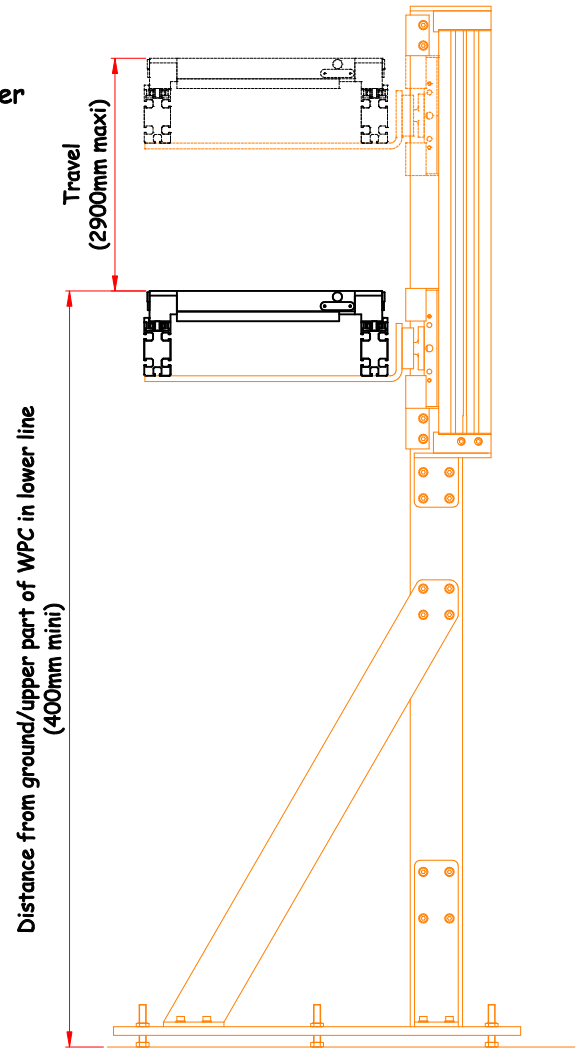
### Example of X-Y positioning device



## Pneumatically operated lift

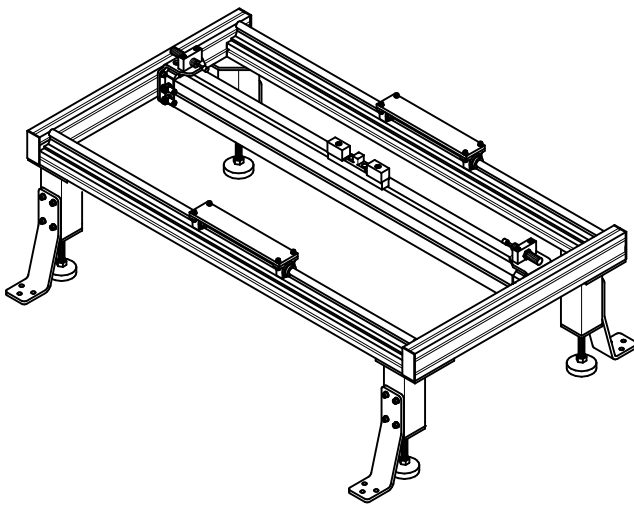
The lifts are used for double levelled lines.  
They are fitted with a motorized section (separately quoted).  
One or two guiding rails combined to a rodless pneumatic cylinder  
provide the vertical movement.  
A safety protection around the lift is necessary.

Please contact us.



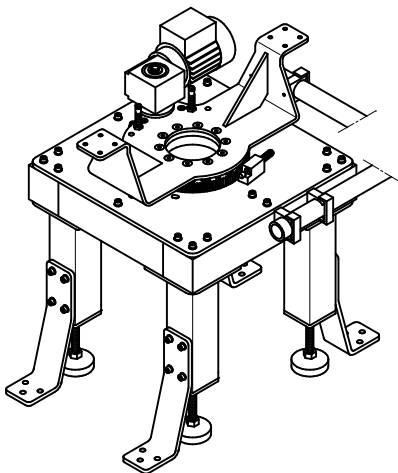
## Pneumatically operated sliding table

Please contact us.



## Electrically operated rotary table

Please contact us.



## Electrically operated transfer table

Please contact us.

